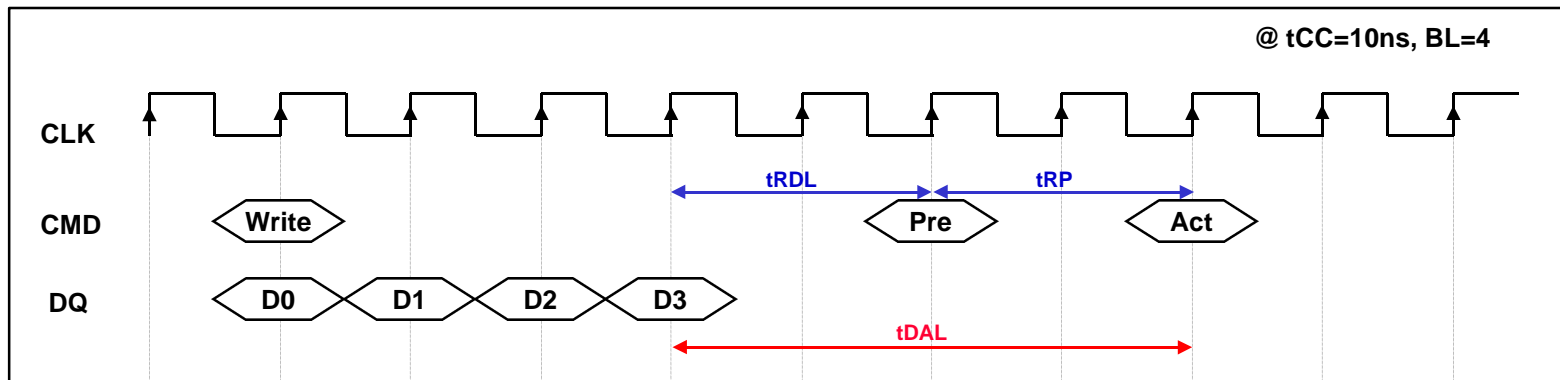


Technical Note for New Parameter of tDAL

tDAL is newly defined as “2CLK + 20ns” which means ‘ tRDL+ tRP ‘

The followings are the timing diagram for your reference and parameter table in our new spec.



OPERATING AC PARAMETER (AC operating condition unless otherwise noted)

Parameter	Symbol	Version			Unit	Note
		-75	-1H	- 1L		
Row active to row active delay	t _{RRD} (min.)	15	20	20	ns	
/RAS to /CAS delay	t _{RCD} (min.)	20	20	20	ns	
Row precharge time	t_{RP} (min.)	20	20	20	ns	
Row active time	t _{RAS} (min.)	45	50	50	ns	
	t _{RAS} (max.)	100			ns	
Row cycle time	t _{RC} (min.)	65	70	70	ns	
Last data in to row precharge	t_{RDL}(min.)	2			CLK	
Last data in to active delay	t_{DAL}(min.)	2CLK+ 20ns				