

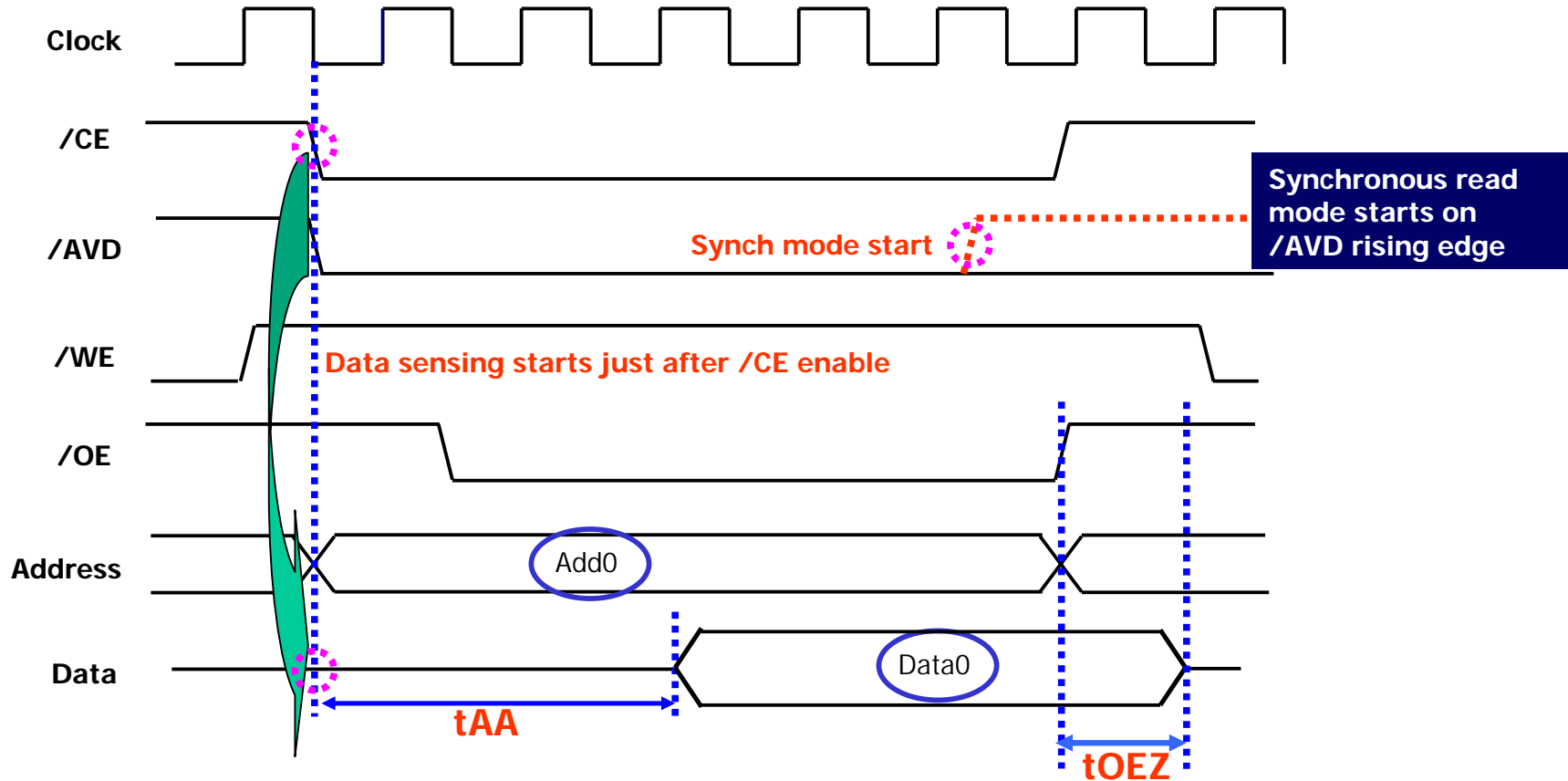
# Guideline for Asynchronous read with clock

**August 18, 2004**

**Product Planning & Application Engineering Team**

**MEMORY DIVISION  
SAMSUNG ELECTRONICS Co., LTD**

# Guideline for Asynchronous read with clock



**In the asynchronous read mode, if there is clock input, /AVD should be fixed in 'LOW'**