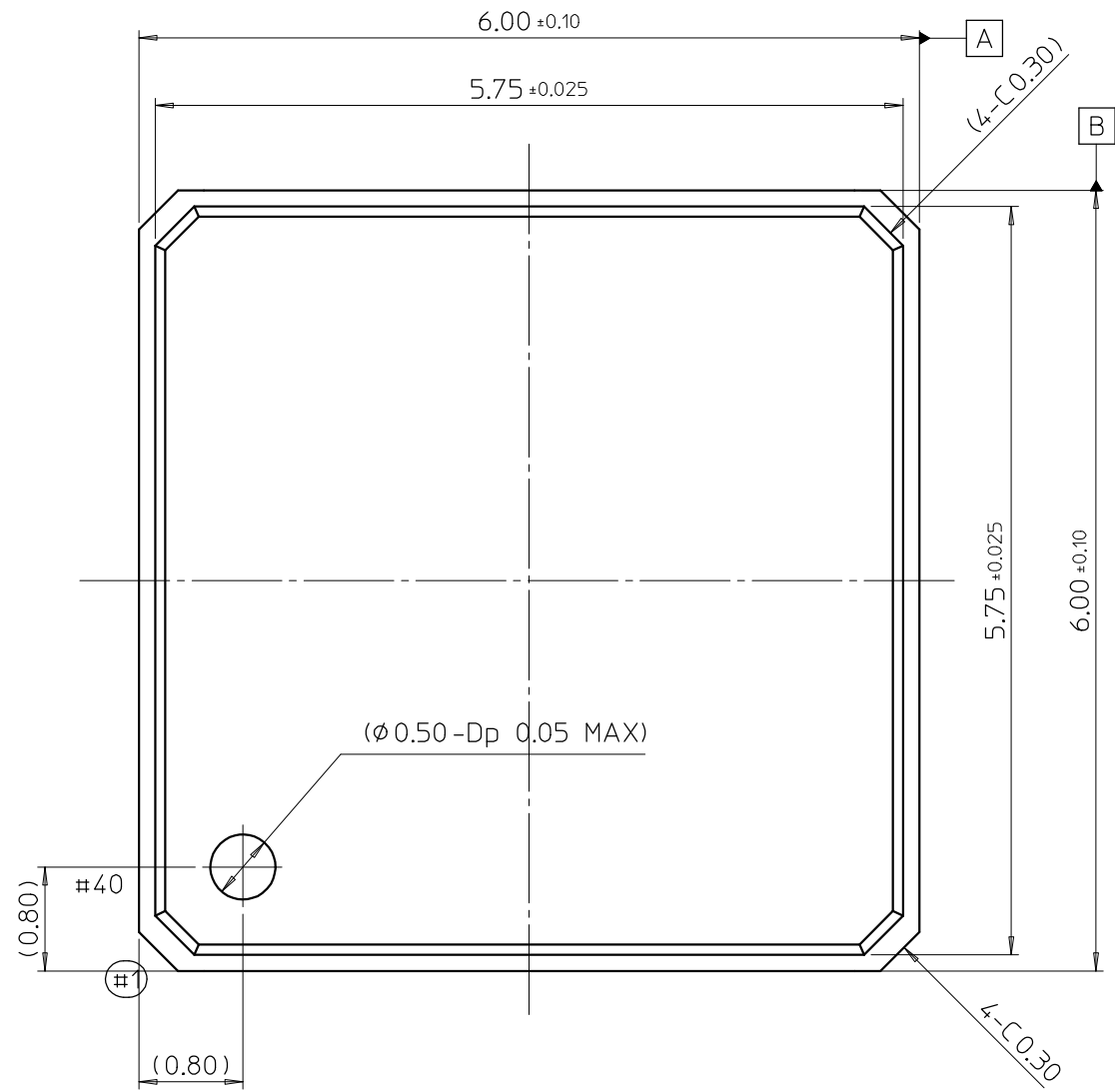
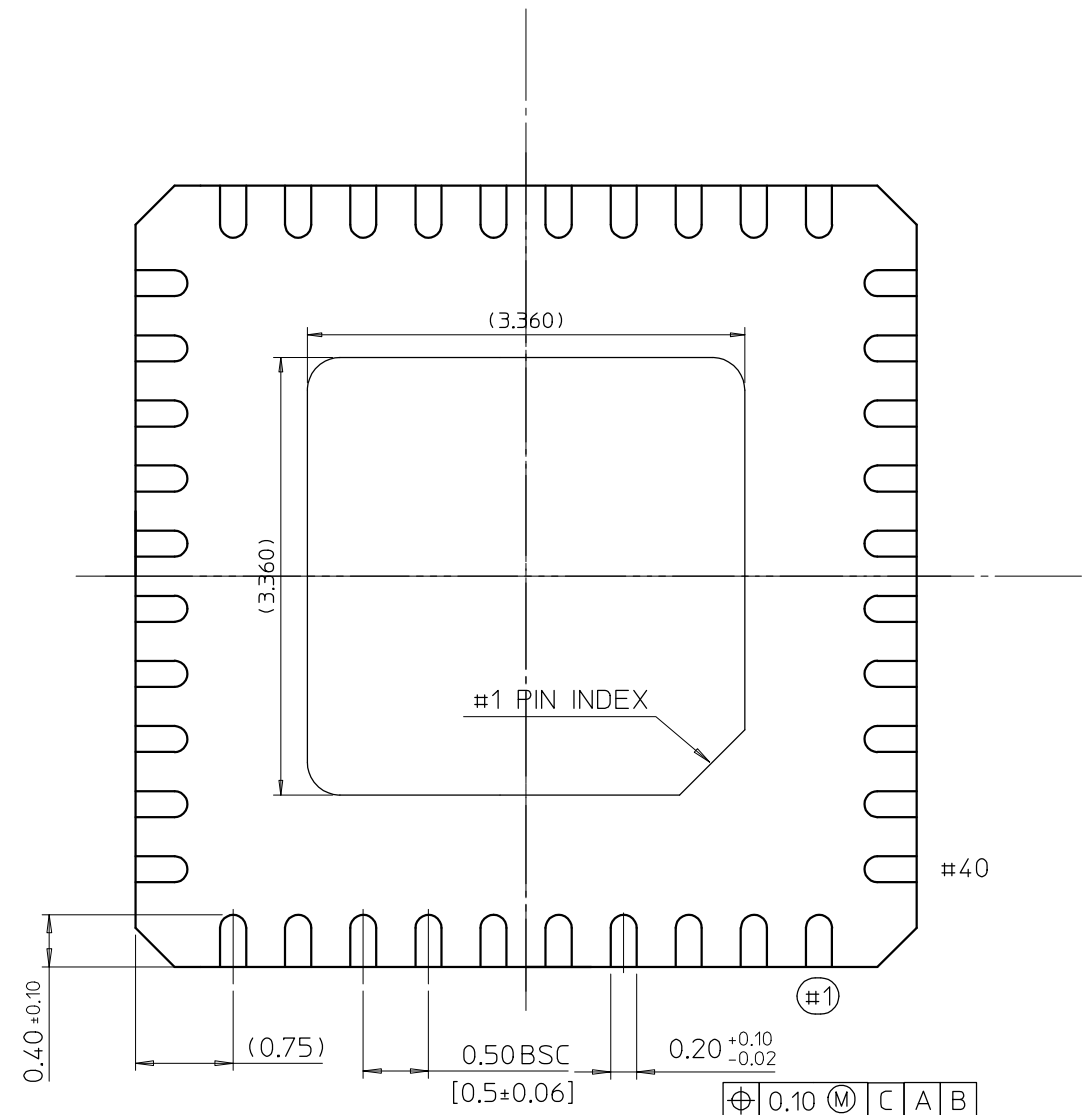
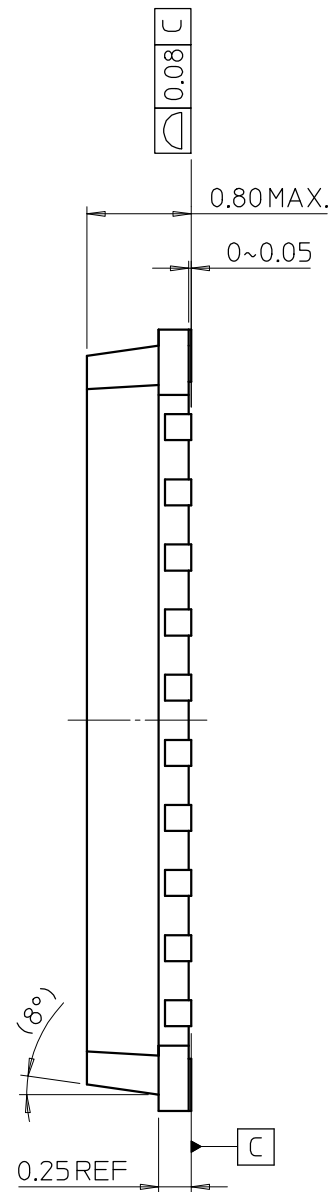


THIS DRAWING CONTAINS CONFIDENTIAL INFORMATION PROPRIETARY TO SEC.  
IT MUST NOT BE REPRODUCED OR DISCLOSED TO OTHERS OR USED IN ANY  
OTHER WAY IN WHOLE OR PART EXCEPT AS AUTHORIZED IN WRITING BY SEC.

REV.	DATE	ECN#
000	2003. 10. 22.	



TOP VIEW



BOTTOM VIEW

NOTE

1. THESE DIMENSIONS DO NOT INCLUDE MOLD PROTRUSION.
2. ( ) IS REFERENCE
3. [ ] ASS'Y OUT QUALITY

TITLE		DESIGNER	
40-ELP-0606 PACKAGE OUTLINE		K.L.JANG	
UNIT	TOLERANCE	SCALE	SHEET
mm	±0.10	18/1	1/1
DWG. NO.	SPEC NO.		
JK-02086-0	ADS13844		