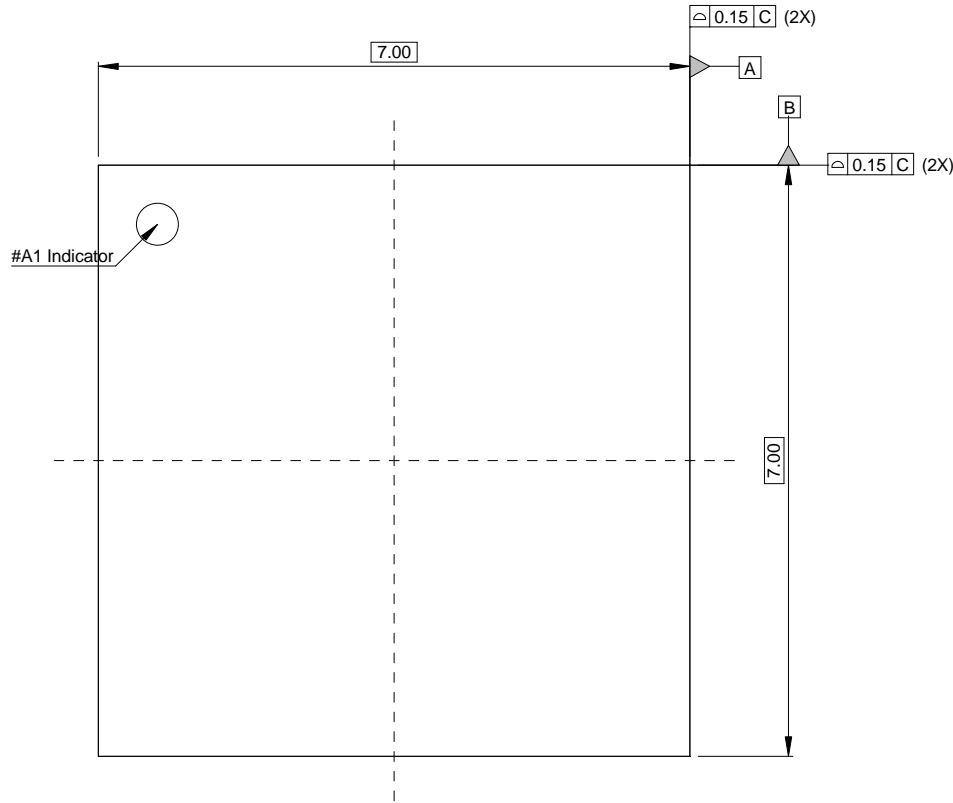
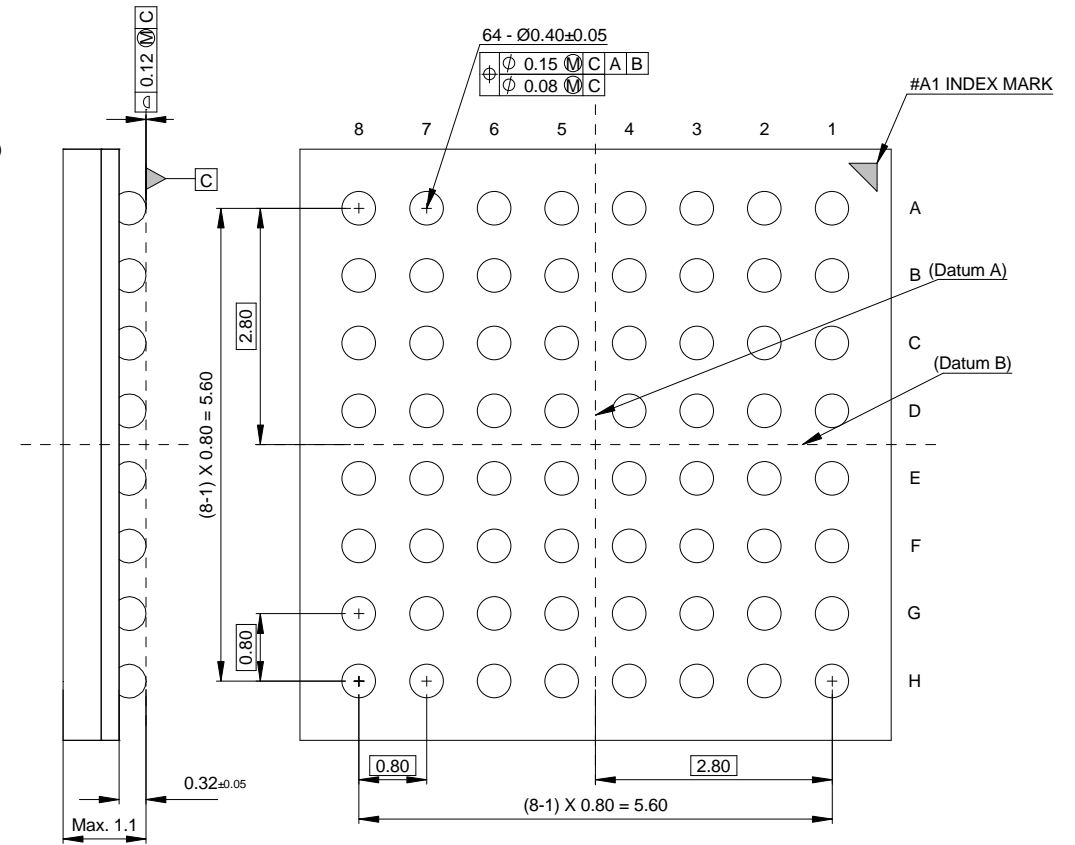


REV.	DATE	ECN#
000	2005.12.27	



TOP VIEW



SIDE VIEW

BOTTOM VIEW

NOTE

- ALL DIMENSIONS AND TOLERANCES CONFIRM ASME Y14.5M-1994
- REFERENCE SPECIFICATIONS:
 A.THIS DRAWING CONFIRMS TO THE JEDEC REGISTERED OUTLINE MO-219C

TITLE 064-FBGA-7.0X7.0		DESIGNER	
PACKAGE OUTLINE		S.K.KIM	
UNIT	TOLERANCE	SCALE	SHEET
mm	± 0.10	N/A	1/1
DWG. NO.	SPEC. NO.		
SK-05322-A	ADS21138		