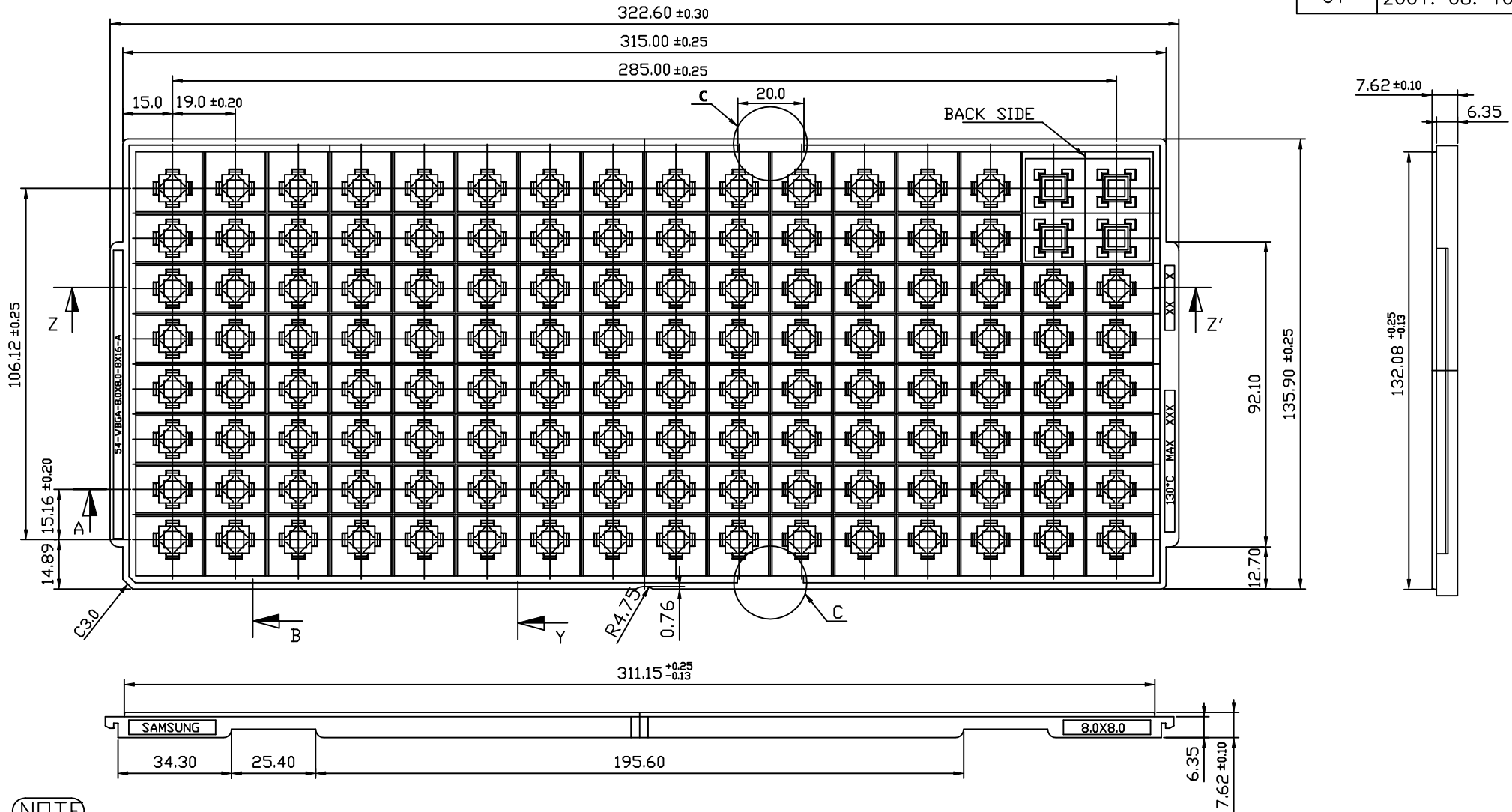
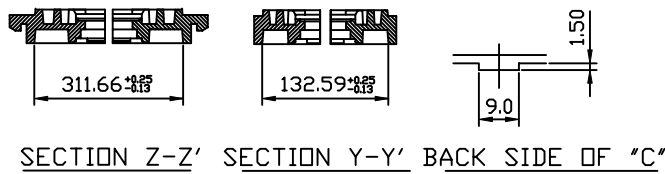


REV.	DATE	ECN#
01	2001. 08. 10	



**(NOTE)**

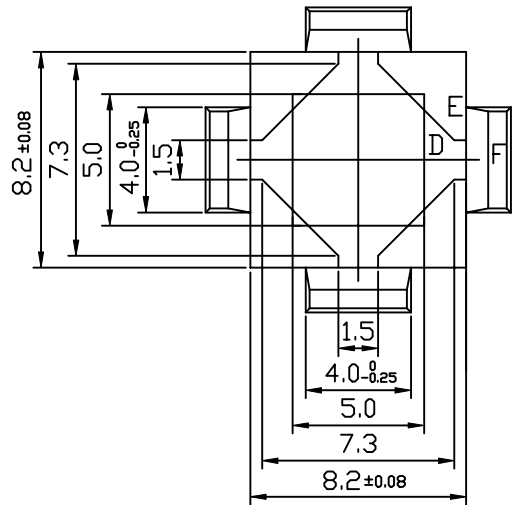
1. MATERIAL : MPPE / MPPD / MPSU
2. UNSPECIFIED CORNER RADIUS : R.03 MAX.
3. SURFACE RESISTANCE : 10E7 OHM MAX.
4. WARPAGE : 0.76 MAX
5. HEAT RESISTANCE : MIN 24Hrs AT 130°C
6. XX : TRAY MAKER NAME
7. XXX : TRAY MATERIAL
8. X : RECYCLING MARK
9. BACK SIDE RIB : VENDOR OPTION.  
: HEIGHT-SEE SHEET 2/2, SHAPE & QUANTITY-VENDOR OPTION
10. MANUFACTURING DATE (YYMM) : BACK SIDE MARKING



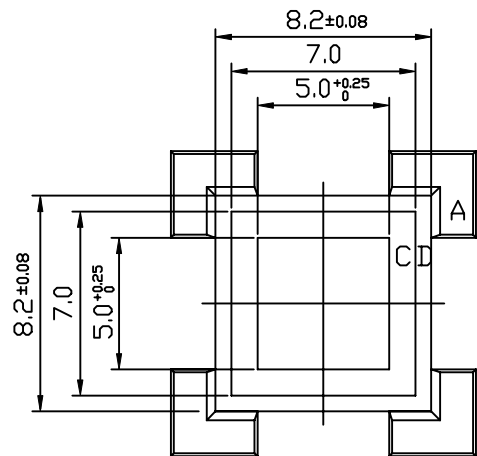
TITLE		54-WBGA-8.0X8.0 JEDEC TRAY 8X16		DESIGNER HAN . M . S	
UNIT	TOLERANCE	SCALE	SHEET		
mm	±0.25	1/1	1/2		
DWG. NO. H-010605		SPEC NO. WDS11984			

REV.	DATE	ECN#
01	2001. 08. 10	

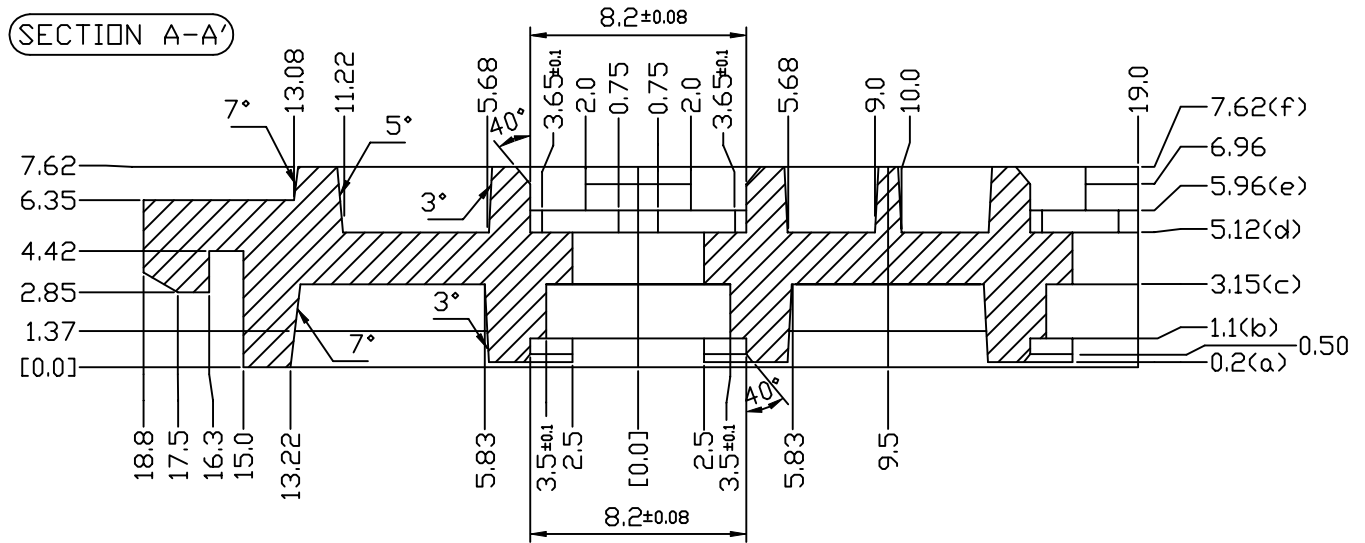
TOP SIDE POCKET



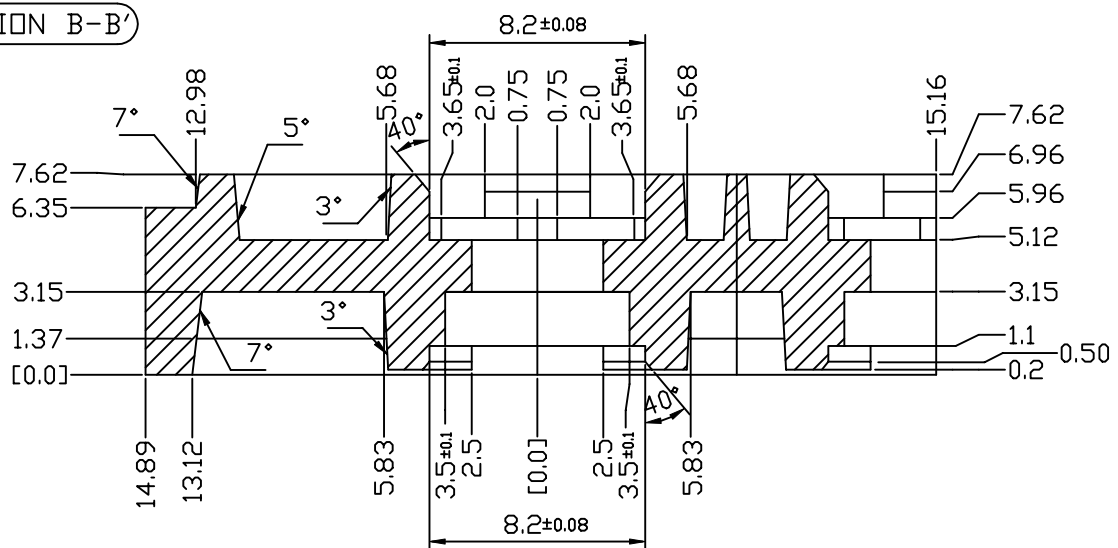
BTM SIDE POCKET



SECTION A-A'



SECTION B-B'



TITLE		54-WBGA-8.0X8.0 JEDEC TRAY 8X16		DESIGNER HAN . M .S	
UNIT	TOLERANCE	SCALE	SHEET		
mm	±0.10	5/1	2/2		
DWG. NO. H-010605		SPEC NO. WDS11984			