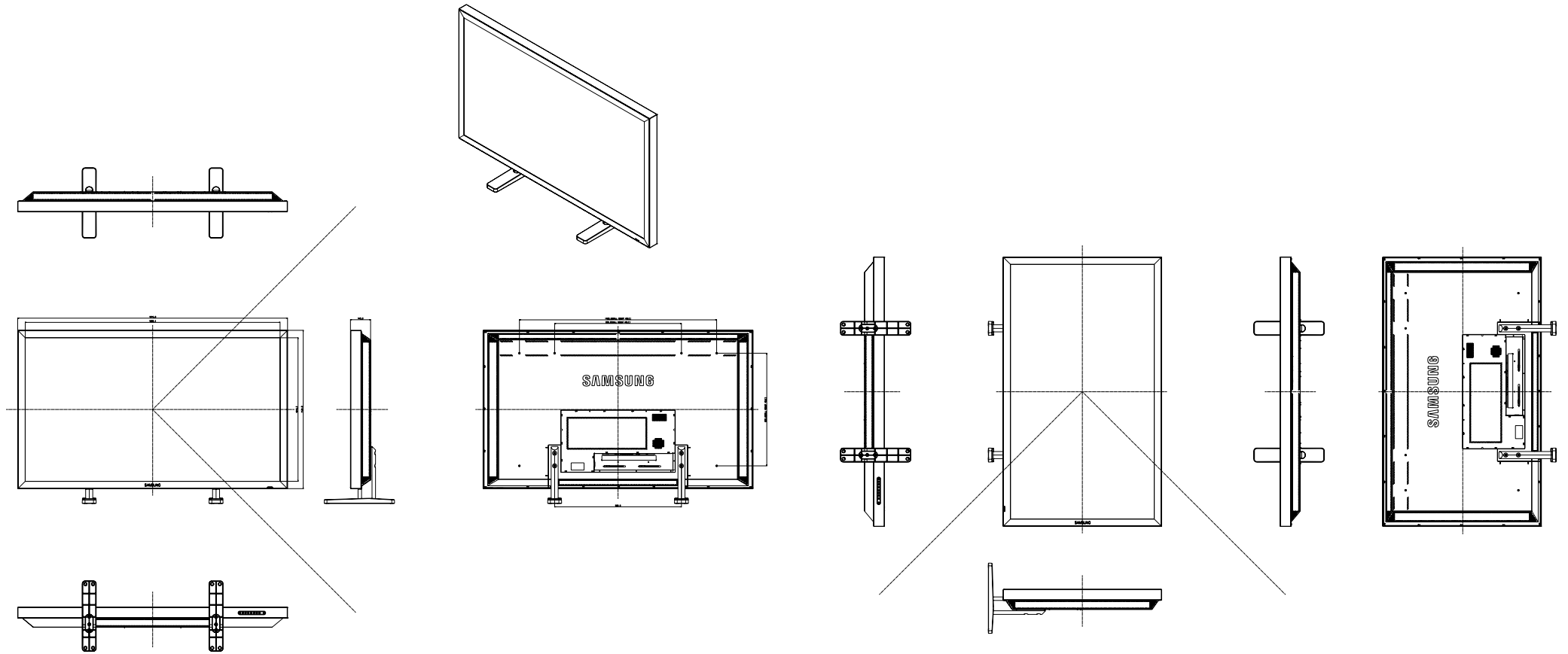


SyncMaster 820DXn-2



LS820P(LANDSCAPE MODEL)
WITH PROTECTION GLASS

LS820P(PIVOT MODEL)
WITH PROTECTION GLASS